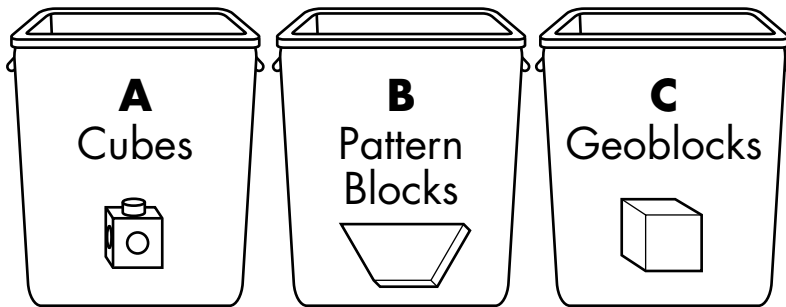
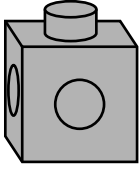
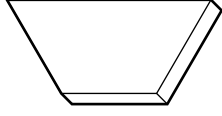
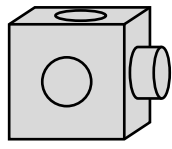
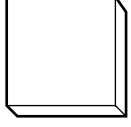
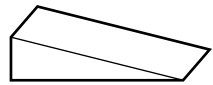
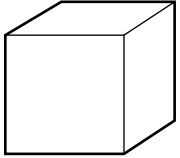

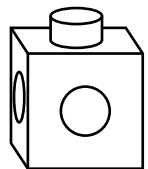


Mathematical Thinking at Grade 1

Where Does It Go?

In which bin would you put each shape? Write the letter of the bin under the shape.



<p>1</p>  <p><u> A </u></p>	<p>2</p>  <p><u> </u></p>	<p>3</p>  <p><u> </u></p>	<p>4</p>  <p><u> </u></p>
<p>5</p>  <p><u> </u></p>	<p>6</p>  <p><u> </u></p>	<p>7</p>  <p><u> </u></p>	<p>8</p>  <p><u> </u></p>